



## Table of contents:

1	Description .....	2
2	Technical data .....	2
3	Dimensions & articulations .....	5

### Contact:

S.I.M.E.O.N. Medical GmbH & Co. KG  
In Grubenäcker 18  
78532 Tuttlingen  
Phone: +49 7461-900 68-0  
Fax: +49 7461-900 68-900  
Mail: [info@simeonmedical.com](mailto:info@simeonmedical.com)

Dok-ID: 110-00024\_V1.0\_en  
CO#003-01479

## 1 Description

The Sim.MOVE 800 mobile operating table is fully new developed and made by SIMEON Medical. It is, thanks to its first-class product highlights, the perfect match for your extraordinary requirements in the OR. SIMEON's product philosophy emphasizes intuitive operation, safety, quality and optimal hygiene properties. With a wide range of adjustment options, the Sim.MOVE 800 meets the requirements of all established operating disciplines.

SIMEON successfully has made every effort to develop a unique usability concept that favors intuitive handling. This allows the user to focus on the essential tasks during surgery. In addition to the intuitive remote control, SIMEON introduces a unique, user-friendly light management system for the Sim.MOVE 800. Among other things, the patient orientation can be seen in color at any time thanks to the innovative my.LIGHT function.

One fits all – the interdisciplinary use of the Sim.MOVE 800 offers maximum flexibility for the use in the operating room. Thanks to its versatility, the Sim.MOVE 800 is perfectly suited to the requirements of all major disciplines. The large adjustment ranges of the individual movements enable an ideal patient positioning and thus contribute to optimized workplace ergonomics.

## 2 Technical data

<b>Table type</b>		
Mode of drive operating table		Electro-Hydraulic
Mode of traction drive (optional)		Electric
<b>Operating table column adjustments</b>		
Height (w/o pad)	[mm]	600 – 1.100 +/- 2mm
Column stroke	[mm]	500 +/- 2mm
Tilt (left / right)	[°]	25 / 25 +/- 2°
Trendelenburg / Reverse Trendelenburg	[°]	35 / 35 +/- 2°
Column / Patient rotation (normal / reverse)		yes
Zero position		Automatic via touch button
<b>Operating table tabletop adjustments</b>		
Back section Up / Down (motorized)	[°]	90 / 50 +/- 2°
Leg section Up / Down (manual – gas spring assisted)	[°]	20 / 90 +/- 2°
Split Leg Up / Down (manual – gas spring assisted)	[°]	20 / 90 +/- 2°
Split Leg lateral adjustment (manual to both sides)	[°]	0 – 90 +/- 2°
Longitudinal slide of the tabletop (+/- 200 mm)	[mm]	400 +/- 2mm
Zero position touch button		Automatic
Head section Up / Down (manual – gas spring assisted)	[°]	45 / 45 +/- 2°
Head section second joint (optional)	[°]	0 – 45 +/- 2°

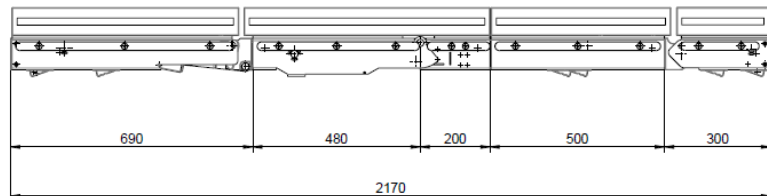
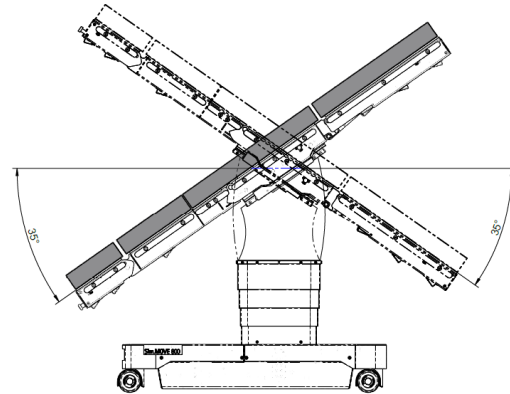
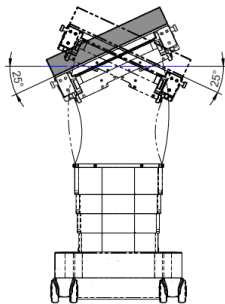
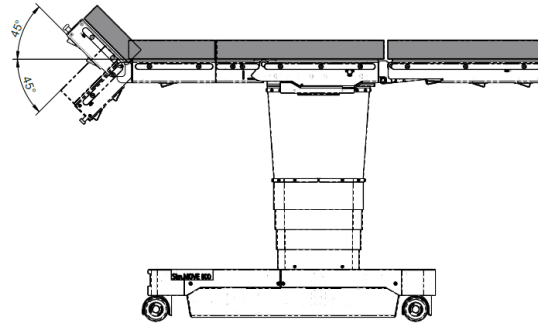
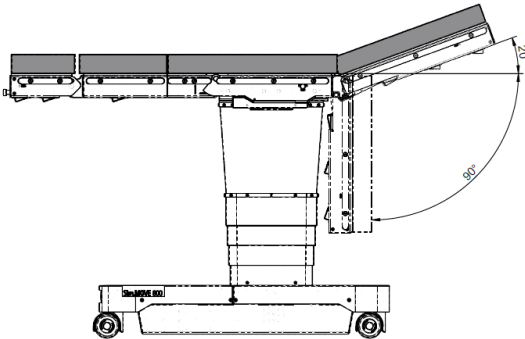
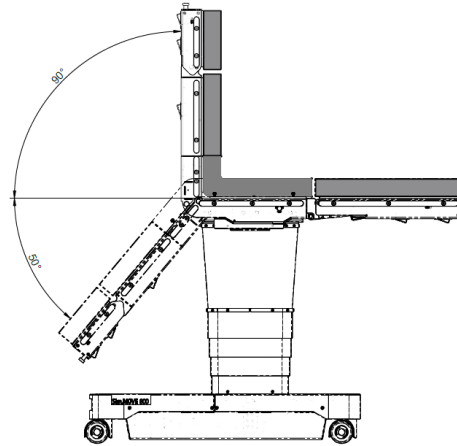
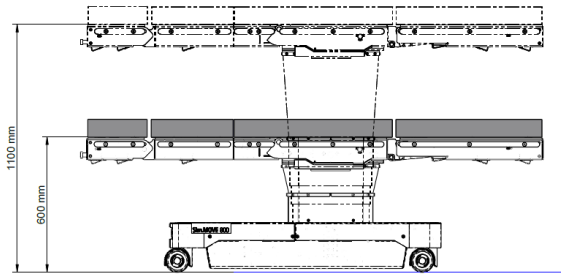
Technical specifications are subject to change

<b>Dimensions tabletop and column</b>		
Number of segments of the tabletop	[pcs]	5 - 6
Total length of the tabletop (with short back section)	[mm]	2.020 +/- 2mm
Total length of the tabletop (with long back section)	[mm]	2.170 +/- 2mm
Seat section length (fixed to the column)	[mm]	480 +/- 2mm
Seat section length (motorized part – fixed to the column)	[mm]	200 +/- 2mm
Back section length (short)	[mm]	350 +/- 2mm
Back section length (long)	[mm]	500 +/- 2mm
Back section removable		yes
Head section length	[mm]	300 +/- 2mm
Leg section length (single)	[mm]	690 +/- 2mm
Leg section length (split-legs)	[mm]	730 +/- 2mm
Width single leg section (split-legs / with side-rail)	[mm]	283 +/- 2mm
Width single leg section (split-legs / w/o side-rail)	[mm]	255 +/- 2mm
Width of the tabletop (with side-rail)	[mm]	592 +/- 2mm
Width of the tabletop (w/o side-rail)	[mm]	535 +/- 2mm
Column base profile (length x width)	[mm]	352 x 352 +/- 2mm
Dimensions table base (length x width)	[mm]	1.193 x 544 +/- 2mm
Thickness pads (SAF 3 layers)	[mm]	80 +/- 2mm
X-ray cassette channel end-to-end (width inside)	[mm]	394 +/- 2mm
<b>Table base / Drive function</b>		
Type of castors (4 x)		Double, electrical conductive
Diameter of castors	[mm]	100
5 <sup>th</sup> wheel for directional stability (optional)		yes, electric extendible
5 <sup>th</sup> wheel with traction drive / linear acceleration (optional)		yes, electric extendible
Locking system (in the center of the castors)		4 hydraulic floor stamps
Uneven floor compensation (optional)		yes, sensor-controlled
<b>Weight / load capacity</b>		
Weight of the Operating table	[kg]	approx.. 320
Max. lifting capacity	[kg]	454
Max. patient weight capacity (any other positions)	[kg]	270
<b>Electrical Interfaces</b>		
Connector socket for wired Handcontrol	[pcs]	yes, 1
Connector socket for wired Footcontrol	[pcs]	yes, 1
Connection for power plug cable (AC / IEC connector)	[pcs]	yes, 1
Interface RS232	[pcs]	yes, 1
Interface RJ45	[pcs]	yes, 1
Interface USB	[pcs]	yes, 1
Ground connection plug	[pcs]	yes, 1
<b>User operations</b>		
Handcontrol wired (standard)		yes
Handcontrol wireless (optional)		yes, Bluetooth LE
Backup control (at the column, standard)		yes
Footcontrol wired (optional)		yes, with 3 functions
Emergency control (manual, standard)		yes, with fold-out foot pump
Operation		
• Battery-supplied (internal, 2 x 12V)		24V (DC)
• Mains supply (universal power supply)		100 – 240V (AC) 50/60 Hz
<b>Materials used</b>		
Table base		Stainless steel, powder coated
Cover for table base		Stainless steel
Column covering		Stainless steel + plastics (PA 6)
Tabletop (side beam + side-rail)		Stainless steel

Technical specifications are subject to change

<b>Table-specific accessories</b>		
Extension section for GYN / URO, with cutout, length	[mm]	300 +/- 2mm
Orthopedic Traction Unit, with trolley		yes
Universal adapter, for NEURO accessories		yes
<b>Special features</b>		
Possibility to upgrade Operating table with 5 <sup>th</sup> wheel later		yes
OR.NET-ready – prepared for all Operating Integration systems		yes
Data logging up to 10 years		yes
my.LIGHT – light management system in the table base for user friendliness <ul style="list-style-type: none"> <li>• Usability (patient orientation)</li> <li>• Warnings</li> <li>• Status</li> <li>• Process</li> <li>• Ambient light</li> </ul>		yes
Memory for 3 preset patient positions (Wake-up, Flex, Beach chair)		yes
Memory for up to 5 freely programmable patient positions		yes
Display angles and height of the tabletop in a color display of the Handcontrol		yes
Manual Backup system		Manual hydraulic foot pump

### 3 Dimensions & articulations



Technical specifications are subject to change